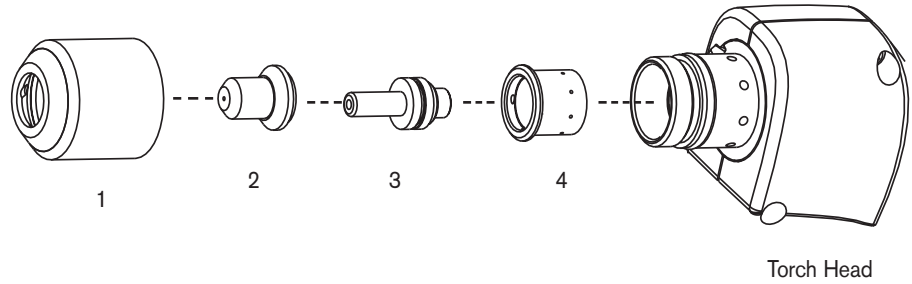


powermax380 PAC110T Consumables



Powermax380 with PAC110T Torch



Torch Head



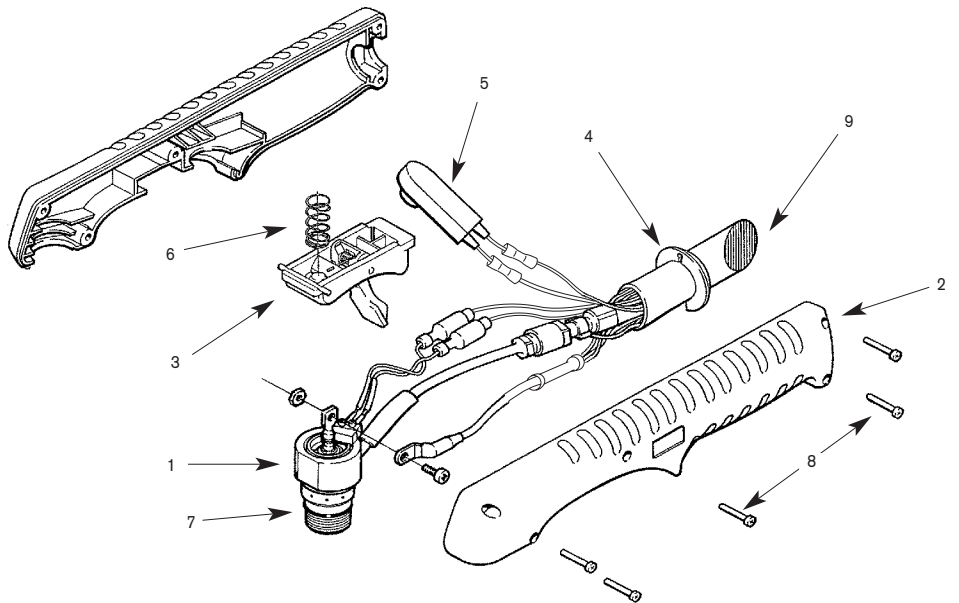
PAC110T Torch

ITEM NUMBER	PART NUMBER	DESCRIPTION	QUANTITY PER PACKAGE
1	220016	Cap, Retaining, PAC110T	1
2	120504	Nozzle, 25 Amp, Extended, PAC110T	5
3	020382	Electrode, Extended, PAC110T	5
4	220013	Swirl Ring, PAC110T	1

powermax380 PAC110T Safety Trigger Torch Assembly



PAC110T



PAC110T

ITEM NUMBER	PART NUMBER	DESCRIPTION
	070071 ^	PAC110T Hand Torch Assembly, 20' / 6.1 m
1	120976	Torch Main Body, with Switch
2	001288	Handle (includes both halves)
3	002244	Safety Trigger Assembly
4	004764	Retaining Ring, Gutcha
5	005202	Switch, Torch Pushbutton
6	027254	Trigger Spring
7	058503	O-Ring, VITON .625 x .070
8	075339	Screws #4 x 1/2", (five required)
9	060208	Torch Lead Replacement, 20' / 6.1 m

^ Assembly includes consumables